

Differential pressure measuring instrument

testo 526 – Pressure measurement for all pressure ranges

Temperature-compensated differential pressure sensor
0 to 2000 hPa in instrument

Additional 2 probe inputs for the connection of further probes for the measurement of pressure and temperature

Direct zeroing of display value from pressure probes

Display of Hold-, max. and min. values

Easy data storage by measurement site as well as analysis, archiving and documentation via optional PC software

Leakage rate measurement (pressure drop per time)

Testing of pressure drop in containers, pipelines etc.



hPa

°C

testo 526-1/-2 is a highly precise differential pressure measuring instrument with an internal sensor. This has a measuring range from 0 to 2000 hPa. The instrument is optimally suited to pressure checks in sensitive industrial processes, and is available in 2 accuracy classes.

- testo 526-1: accuracy 0.1 % of final value
- testo 526-2: accuracy 0.05 % of final value

The testo 526-1/-2 additionally has two probe inputs for the connection of further probes for the measurement of pressure and temperature. A large selection of probes is available for this purpose.

Specially for the purposes of tightness tests on containers, uninterrupted recording is possible via the test menu in testo 526-1 and testo 526-2. The subsequent processing of the measurement data via software or printout via the printer allow the documentation of the pressure test.

Differential pressure measuring instrument

testo 526-1

testo 526-1 (0 to 2000hPa 0.1% acc.) incl. battery and calibration protocol

Part no. 0560 5280



testo 526-2

testo 526-2 (0 to 2000hPa 0.05% acc), fast coupling connection, battery and calibration protocol included

Part no. 0560 5281

testo 526-1 with internal sensor

0 to 2000 hPa / 0.1%

testo 526 is the ideal differential pressure meter for industrial applications. Processes can be accurately measured and monitored with an accuracy of 0.1% of the full-scale value.

testo 526-2 with highly accurate internal sensor 0 to 2000 hPa, 0.05%

testo 526 is the ideal differential pressure meter for sensitive industrial applications. Critical processes can be efficiently measured and monitored at an accuracy of up to 0.05% of the full-scale value.

Advantages testo 526-1 and testo 526-2

- Built-in differential pressure probe
- 2 user defined probe sockets for pressure and temperature
- Wide selection of probes
- Documentation on site
- Easy data management via PC
- 2 line display with text menu guide
- Mains socket/fast battery recharging
- Fast-action coupling connections M8x0.5



Easy data management via PC



Inspection of transmitters with 4 to 20 mA interface



2 user defined probe sockets for pressure and temperature

Further advantages testo 526-1 and testo 526-2

Wide selection of probes

The differential pressure sensor is built into testo 526. Up to two additional probes can be connected via user-defined probe sockets.

- Differential pressure probes to 2000 hPa
- Absolute pressure probes to 2000 hPa
- Relative pressure probes to 400 bar
- Temperature probes from -200 to +1250 °C
- Probes for measuring current/voltage

Documentation on site

- Measurement protocols can be printed on site. No awkward cables required on account of the infrared interface.
- Long-term legible thermal paper ensures that measurement data documentation can be stored for up to 10 years.

Easy data management via PC

- The saved measurement data can be easily analysed and processed using the software available.
- Readings are taken by the instrument and can be depicted online by the software.
- Pressure drops can be protocolled online in cycles of 0.05 seconds in the Fast Measurement menu. Since, in most cases, pressure drops cannot be predicted, a rule can be defined via the trigger function; the pressure drops are then filtered out and stored separately for the user in indexed pages.

Long-term monitoring made easy

- Measurement data can be saved separately or as a measurement series. The measurement rate (0.04 seconds, 1 second to 24 hours) and the number of values to be saved are freely selectable. The maximum memory size is 25000 readings.
- The readings are saved under separate names for the sites (max. 99 sites) - with retracing guarantee.
- Online measurement for large quantities of data can be activated via PC.

Technical data

General technical data testo 526-1/-2

| | |
|-----------------------|---|
| Storage temperature | -20 to +70 °C |
| Operating temperature | 0 to +50 °C |
| Power supply | Battery/Rechargeable battery, Mains unit 12 V |
| Battery type | 9 V (6LR61) |
| Battery life | Continuous operation w/ internal pressure sensor: 30 h With rech. battery: 10 h With carbon battery: 18 h |
| Weight | 300 g |
| Dimensions | 219 x 68 x 50 mm |
| Housing material | ABS |
| Memory | 100 kB (corresponds to approx. 25000 readings) |

| | |
|--------------------------|--|
| Connection | Hose: inner Ø 4 mm outer Ø 6 mm |
| Display | LCD display with symbol, 7 segment display and point matrix |
| Updating rate in display | 2x per second, in fast measurement 4x per second |
| Measuring rate | from 0.04 seconds |
| PC | RS232 interface |
| Other features | Mains connection and battery recharging in instrument Automatic recognition of all connected probes 9 measurement units selectable: mbar, hPa, bar, Pa, kPa, inH ₂ O, mmH ₂ O, torr, psi |

Sensor types




| | Piezoresistive pressure sensor | Ceramic sensor for external pressure probes | Piezoresistive pressure sensor For external pressure probes | NTC | Type K (NiCr-Ni) |
|--------------------|---|--|---|--|--|
| Measuring range | 0 to 2000 hPa | -1 to 400 bar | 0 to 2000 hPa | -40 to +150 °C | -200 to +1370 °C |
| Accuracy ±1 digit* | ±0.1 % of fsv (testo 526-1) ±0.05 % of fsv (testo 526-2) | ±0.2 % of fsv | ±0.1 % of m.v. | ±0.2 °C (-10 to +50 °C) ±0.4 °C (remaining range) | ±0.4 °C (-100 to +200 °C) ±1 °C (remaining range) |
| Resolution | 0.1 hPa | 0.01 bar | 0.1 Pa (0638 1347) 0.001 hPa (0638 1447) 0.01 hPa (0638 1547) | 0.1 °C | 0.1 °C |
| Static pressure | 2000 hPa (abs) | | | | |
| Overload | 3000 hPa | | | | |
| Zeroing | to 50 hPa | | | | |

*Accuracy information applies only to instrument without probes connected

Accessories



| Additional accessories and spare parts | Part no. | |
|---|-----------------|--|
| Desk-top power supply with international connection options | 0554 1143 | |
| 9V rech. battery for instrument, instead of battery | 0515 0025 | |
| Printer and Accessories | | |
| Testo fast printer IrDA with wireless infrared interface; 1 roll thermal paper; 4 AA batteries, for printing out measurements on site | 0554 0549 | |
| Spare thermal paper for printer (6 rolls), permanent ink, measurement data documentation legible for up to 10 years | 0554 0568 | |
| Software and Accessories | | |
| ComSoft Professional, Pro software incl. data archiving | 0554 1704 | |
| RS232 cable, connects instrument to PC (1.8 m) for data transfer | 0409 0178 | |
| Calibration Certificates | | |
| DAkkS calibration certificate/Pressure, Differential pressure, accuracy < 0.1 (% of full scale value) | 0520 0205 | |
| DAkkS calibration certificate/pressure, differential pressure, accuracy 0.1 to 0.6 (% of full-scale value) | 0520 0215 | |
| DAkkS calibration certificate/pressure, differential pressure, accuracy > 0.6 (% of full-scale value) | 0520 0225 | |
| ISO calibration certificate/Pressure, Differential pressure, accuracy < 0.1 (% of full scale value) | 0520 0035 | |
| ISO calibration certificate pressure, accuracy 0.1 to 0.6 (% of fsv), 5 points distributed over meas. range | 0520 0025 | |
| ISO calibration certificate pressure, accuracy > 0.6 (% of fsv) | 0520 0005 | |
| ISO calibration certificate/Pressure, Differential pressure, accuracy > 0.1 (% of fsv), for testo 521-2 | 0520 0405 | |
| ISO calibration certificate/temperature, for air/immersion probes, calibration points -18°C; 0°C; +60°C | 0520 0001 | |
| ISO calibration certificate/temperature, meas. instr. with air/immersion probe; cal. points 0°C; +150°C; +300°C | 0520 0021 | |
| ISO calibration certificate/temperature, meas. instr. with surface probe; calibration points +60°C; +120°C; +180°C | 0520 0071 | |
| DAkkS calibration certificate/temperature, meas. instr. with air/immersion probe; calibration points -20 °C; 0 °C; +60 °C | 0520 0211 | |
| DAkkS calibration certificate/temperature, contact surface temperature probes; calibration points +100°C; +200°C; +300°C | 0520 0271 | |
| ISO calibration certificate/electrical | 0520 1000 | |
| Probe accessories | | |
| Connection hose; silicone; length 5 m; max. load 700 hPa (mbar) | 0554 0440 | |
| Connection cable, 2.5 m long, for pressure probes 0638 1741/1841/1941/2041/2141 | 0409 0202 | |

Probes

| Probe type | Illustration | Measuring range | Accuracy | Overload | Static pressure | Zeroing | Part no. |
|---|---|-----------------|--|----------|-----------------|------------|-----------|
| Differential pressure probe | | | | | | | |
| Precision pressure probe, 100 Pa, in robust metal housing with impact protection, incl. magnet for fast attachment, to measure differential pressure and flow speeds (in combination with Pitot tube) |  | 0 to +100 Pa | ±(0.3 Pa ±0.5% of m.v.) | 50 hPa | 100 hPa | to 20 Pa | 0638 1347 |
| Pressure probe, 10 hPa, in robust metal housing with impact protection incl. magnet for fast attachment, to measure differential pressure and flow speeds (in combination with Pitot tube) |  | 0 to +10 hPa | ±0.03 hPa | 50 hPa | 1000 hPa | to 0.4 hPa | 0638 1447 |
| Pressure probe, 100 hPa, in robust metal housing with impact protection, incl. magnet for fast attachment, to measure differential pressure and flow speeds (in combination with Pitot tube) |  | 0 to +100 hPa | ±0.5% of m.v. (+20 to +100 hPa) ±0.1 hPa (0 to +20 hPa) | 300 hPa | 1000 hPa | to 4 hPa | 0638 1547 |

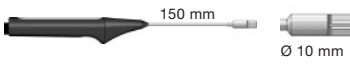
Operating temperature: 0 to +50 °C (compensated)
 Connection: Plug-in head. connection cable 0430 0143 or 0430 0145 required

Probes

| Probe type | Illustration | Measuring range | Accuracy | Overload | Zeroing | Part no. |
|--|---|-----------------|------------|----------|------------|-----------|
| Relative pressure probe (media compatible) | | | | | | |
| Low pressure probe, refrigerant-proof stainless steel, up to 10 bar |  | -1 to +10 bar | ±1% of fsv | 25 bar | to 0.1 bar | 0638 1741 |
| High pressure probe, refrigerant-proof stainless steel, up to 30 bar |  | -1 to +30 bar | ±1% of fsv | 120 bar | to 0.3 bar | 0638 1841 |

Operating temperature: -40 to +100 °C; 0 to +70 °C (compensated)

Connection: Plug-in head, connection cable 0409 0202 required
screw-in thread 7/16" UNF

| Probe type | Dimensions Probe shaft/probe shaft tip | Measuring range | Accuracy | t ₉₉ | Part no. |
|------------------------------|--|-----------------|----------|-----------------|-----------|
| Temperature probes | | | | | |
| Quick-action surface probe** |  150 mm Ø 10 mm | -200 to +300 °C | Class 2* | 3 s | 0604 0194 |

*According to standard EN 60584-1, the accuracy of Class 1/2 refers to -40 to +1000/+1200 °C
**Connection: Plug-in head, connection cable 0430 0143 or 0430 0145 required

